



BACKUP POWER

# Home Generator Power

Farmers EC installation requirements.

Standby generators are useful when temporary power is needed, and they can provide an alternate source of electrical power for all or part of a member's energy in the event of an outage. However, members should understand that standby generators do not export power (also known as parallel or distributed generation) to Farmers EC distribution system. As such, requirements for member-owned generators that are intended to export power to Farmers EC system are not addressed by this document.

**IMPORTANT:** Read this document thoroughly.

Then contact Farmers EC at: 903 455 1715 before installation of a backup generator system.



Please refer to the one-line diagram (FIGURE 1) of a typical installation of member-owned generation.

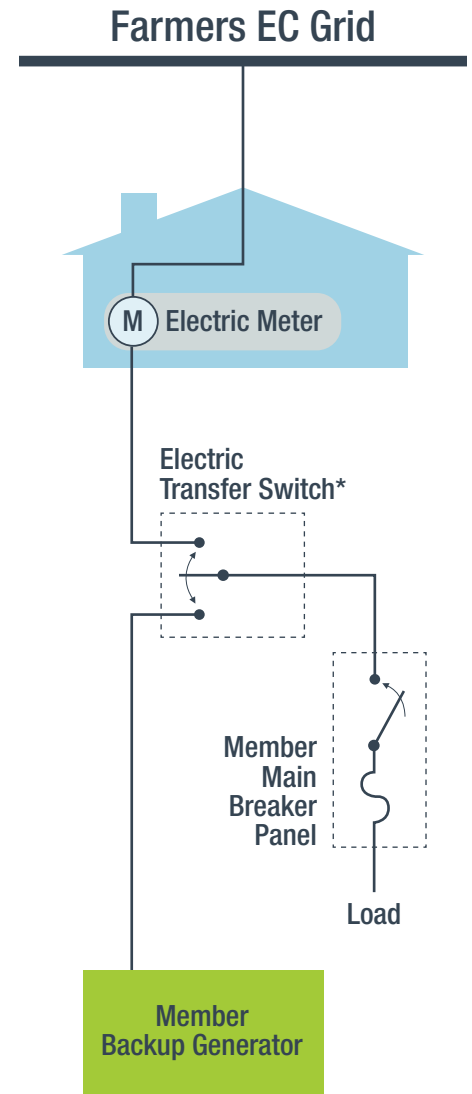
### Requirements checklist:

- Be aware that it is a potential safety hazard to connect a generator to a home's electrical circuits without a transfer switch. If a generator does not have a transfer switch and is online when electrical service is restored, it can become a fire and safety hazard. Improperly installed generators can create hazardous conditions for members and for Farmers EC employees working to restore power or make repairs. A generator connected parallel with Farmers EC distribution network can produce voltage that is potentially deadly to a lineman making repairs down the line.
- Members may connect a generator using any UL-approved open-transition transfer switch. An open-transition transfer switch breaks the circuit connection to Farmers EC service wires before making the circuit with the member's generation and, conversely, breaks the circuit connection to the member's generation before connection to Farmers EC service. Farmers EC prefers installation of an automatic transfer switch (ATS).
- Member generator installations must meet all local, municipal, National Electrical Safety Code (NESC), National Electrical Code (NEC), and National Fire Protection Association (NFPA) regulations. Farmers EC reserves the right to disconnect or refuse service to any generator installation which violates said regulations. Farmers EC also has the right to disconnect or refuse service for installations that are hazardous to the public, or that may negatively impact service to other members or Farmers EC facilities/equipment. The standby generation disconnect must be accessible by and visible to Farmers EC. The transfer switch must also have identifiable labeling on the standby generator disconnect.
- Before approval and reconnection, FEC must inspect the installation to confirm proper adherence to the rules listed above.
- Know your generator. Read all the information and materials provided with your generator and follow instructions regarding installation, safety, maintenance, and testing.

### Liability

- Generator owners are responsible for providing and maintaining all equipment deemed necessary for the protection of member-owned property and operations. Farmers EC assumes no liability for the protection of any property of person associated with a generator's operation.
- Generator owners are responsible for the installation and operation of the facility and will indemnify and hold Farmers EC harmless from liability for damage to property or person resulting from or arising out of or in any way connected with the installation, inspection, operation, maintenance, testing, and/or use of the generator.

**FIGURE 1.** Member-owned generation: typical installation.



\* Double throw, (not-fusible), mechanically interlocked transfer switch.